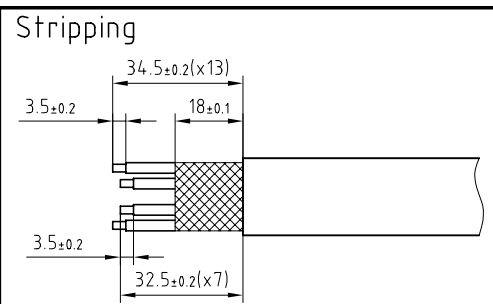
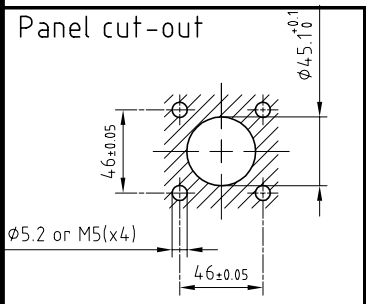


| | | |
|-----------------------------|-----------------------------|------------------------------|
| Outer shell | : Stainless steel (AISI304) | - |
| Collet nut + clamps + screw | : Stainless steel (AISI304) | - |
| Insulator | : PEEK | - |
| Female contact | : Bronze (UNS C54400) | Gold plated (ISO 4523) |
| Clip | : Stainless steel (AISI416) | - |
| Gland | : EPDM | - |
| Other outer metallic parts | : Stainless steel (AISI304) | - |
| Other inner metallic parts | : Brass (UNS C38500) | Nickel plated (FS-QQ-N-290A) |
| O-rings | : EPDM | - |
| Marking strip | : Epoxy paint | Black |



Fixed socket with square flange , 4 screws fixing ,
with cable clamps .
Series 5N , multipole (20)

| | | | |
|---------|----------|----------|----------------|
| Echelle | Dessiné | 05.07.05 | OVU / RMO |
| | Contrôle | 05.07.05 | RMO / CDE |
| | Modif. | 00 | 05.07.05 / OVU |

ETUDE N°